

**ELECTRICAL  
WHOLESALE**

**Ⓜ SUPPLY CO., INC.**  
*"Friends Serving Friends"*

**BOB PRESTWICH**  
OUTSIDE SALES

W (208) 233-1362  
C (208) 241-9929

220 WEST MAPLE POCATELLO, ID 83201  
[bob.prestwich@electricalwholesale.com](mailto:bob.prestwich@electricalwholesale.com)

# UR Series

UR2-48™ and UR3-48™ LED Upgrade Kit – 4'

UR2-48-45L-40K-S-FD

## Product Description

The UR Series 4ft (1219mm) LED upgrade kit delivers 4500 lumens of enhanced spectrum 80 CRI light while achieving over 100 lumens per watt at the system level. This innovative kit is designed for upgrading existing 1'x4' (305mm x 1219mm) or 2'x4' (610mm x 1219mm) fixtures to energy saving LED. The UR Series is available in neutral or cool color temperatures and with step dimming or 0-10V dimming. The UR Series upgrade kit is easy to install and fits into almost any existing linear fluorescent fixture making it a perfect upgrade option where energy savings and long life are critical.

## Performance Summary

Upgrade Existing 1'x4' (305mm x 1219mm) & 2'x4' (610mm x 1219mm) fixtures

Efficacy: 102 LPW at source level

System Delivered Light Output: 4500 lumens

Target Fixture Delivered Light Output: 4000 lumens\*

Input Power: 44 watts

CRI: 80

CCT: 3500K, 4000K

Input Voltage: 120-277 VAC or 347 VAC

Limited Warranty<sup>1</sup>: 7 years

Lifetime: Designed to last 50,000 hours

Controls: Step Level to 50% or 0-10V Dimming to 5%

Mounting: Existing dry or damp rated linear fluorescent fixtures including troffers, parabolics, strips, wraps, volumetric/baskets and industrials; not intended for use in vaportights



4' (1219mm) LED Lightbar  
MOL- 44" (1118mm)

The UR Series upgrade kit ships as two components: lightbars and driver. Each component must be ordered separately.

## Accessories

<b>Field-Installed</b>
Emergency Backup UR-EB10W - 10W

## Ordering Information

Fully assembled kit is composed of two components that must be ordered separately.

Example: Lightbar: UR 48 35K FD LB 2 + Driver: UR2 48 45L 10V FD DR

Lightbar (Driver must be ordered separately)					
UR	48		FD	LB	
Series	Length	CCT	Options	Lightbar	Number of Lightbars
UR	48	35K 3500 Kelvin 40K 4000 Kelvin	FD 80 CRI	LB Lightbar	2 2 Lightbar Kit 3 3 Lightbar Kit 6 6 Lightbar Bulk Pack

Driver (Lightbar must be ordered separately)						
	48	45L			FD	DR
Product	Length	Lumen Output	Voltage	Control	Options	Driver
UR2 2 Lightbar	48	45L 44W, 4500 lumens - 102 LPW	Blank 120-277 Volt (Standard)	S Step Dimming to 50%	FD	DR Driver
UR3 3 Lightbar			34 347 Volt (Optional) - Available with 10V control option only	10V 0-10V Dimming to 5%		

\* Varies by fixture

<sup>1</sup> See [www.cree.com/lighting/products/warranty](http://www.cree.com/lighting/products/warranty) for warranty terms



Rev. Date: V3 01/13/2015



## UR2-48™ and UR3-48™ LED Upgrade Kit – 4'

### Product Specifications

#### CREE LED TECHNOLOGY

Cree's total systems approach to product development is a comprehensive engineering philosophy that combines the most advanced LED sources, driver technologies, optics and forms. The result is highly-reliable luminaire solutions for indoor applications that reduce energy use, extend lifetimes, and maximize illumination performance and quality.

#### CONSTRUCTION & MATERIAL

- Lightweight aluminum heat sink housing provides strength and durability
- Durable plastic mounting clips with integrated magnets allow for simple snap on design to fixture
- Shatterproof design

#### OPTICAL SYSTEM

- Specialized polycarbonate lens design for optimal light distribution and smooth visual effect
- Measured and designed to achieve optimal light performance in existing fluorescent troffers

#### ELECTRICAL SYSTEM

- Integral, high-efficiency driver and power supply
- Power Factor: = 0.9 nominal
- Input Power: Stays constant over life
- Input Voltage: 120-277V, 347V, 50/60Hz
- Operating Temperature Range: 0°C - +35°C (32°F - +95°F)
- Total Harmonic Distortion: < 20%
- Source Current: 0.25mA

#### CONTROLS

- Step dimming to 50%. Reference [www.cree.com/Lighting/Products/Indoor/Upgrade-Solutions/UR-Series](http://www.cree.com/Lighting/Products/Indoor/Upgrade-Solutions/UR-Series)
- Continuous dimming to 5% with 0-10V DC control protocol. Reference [www.cree.com/Lighting/Products/Indoor/Upgrade-Solutions/UR-Series](http://www.cree.com/Lighting/Products/Indoor/Upgrade-Solutions/UR-Series)

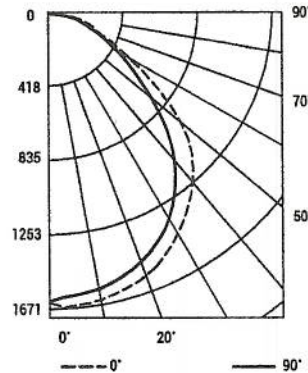
#### REGULATORY & VOLUNTARY QUALIFICATIONS

- DLC qualified. Please refer to [www.designlights.org/QPL](http://www.designlights.org/QPL) for most current information
- UL1598C (Retrofit Kit)
- This product is UL Classified for U.S. and Canada for use in existing linear fluorescent fixtures
- Suitable for damp locations
- Designed for indoor use
- Meets FCC Part 15 standards for conducted and radiated emissions

### Photometry

#### UR2 48 45L 40K FD INSTALLED IN A 2X4 RECESSED TROFFER BASED ON CESTL REPORT TEST #: 2013-0080

Fixture photometry has been conducted by a NVLAP accredited testing laboratory in accordance with IESNA LM-79-08. IESNA LM-79-08 specifies the entire luminaire as the source resulting in a fixture efficiency of 100%.



Coefficients Of Utilization - Zonal Cavity Method				
RC %:	80			
RW%:	70	50	30	10
RCR: 0	119	119	119	119
1	110	105	101	98
2	100	93	86	81
3	92	82	74	68
4	85	73	65	59
5	78	66	57	51
6	72	60	51	45
7	67	54	46	40
8	63	50	41	36
9	59	46	38	32
10	55	42	34	29

Effective Floor Cavity Reflectance: 20%

Average Luminance Table (cd/m <sup>2</sup> )				
		Horizontal Angle		
		0°	45°	90°
Vertical Angle	45°	2,181	2,364	2,367
	55°	1,700	1,956	2,131
	65°	1,353	1,277	1,475
	75°	1,210	979	1,432
	85°	1,275	1,284	1,593
	90°			

Zonal Lumen Summary			
Zone	Lumens	% Lamp	Luminaire
0-30	1,286	N/A	31.2%
0-40	2,095	N/A	50.9%
0-60	3,488	N/A	84.7%
0-90	4,118	N/A	100%
0-180	4,118	N/A	100%

Reference [www.cree.com/Lighting/Products/Indoor/Upgrade-Solutions/UR-Series](http://www.cree.com/Lighting/Products/Indoor/Upgrade-Solutions/UR-Series) for detailed photometric data

© 2015 Cree, Inc. and/or one of its subsidiaries. All rights reserved. For informational purposes only. Content is subject to change. See [www.cree.com/patents](http://www.cree.com/patents) for patents that cover these products. Cree® and the Cree logo are registered trademarks, and UR2-48™ and UR3-48™ are trademarks of Cree, Inc. The UL logo is a registered trademark of UL LLC. The DLC QPL logo is a registered trademark of Northeast Energy Efficiency Partnerships, Inc.







## FEATURES & SPECIFICATIONS

**INTENDED USE** — Ideal one-for-one replacement of conventional lighting systems such as HID and fluorescent. Applications include manufacturing, warehousing and other large indoor spaces with mounting heights ranging from 10' – 40'. Luminaire shall be suspended a minimum 24" from ceiling. Surface mounting is not permitted. **Certain airborne contaminants can diminish integrity of acrylic.** [Click here for Acrylic Environmental Compatibility table for suitable uses.](#)

**CONSTRUCTION** — Lightweight aluminum heat sink designed to perform at warm ambient temperatures. Due to precision thermal engineering for maximum naturally convective cooling this fixture provides lumen drop that is less than fluorescent. Fabricated steel channel provides maximum rigidity.

**OPTICS** — Medium distribution to meet both horizontal and vertical light level requirements. Reflectors are precision formed and painted a high reflectance white. Semi-diffuse lens is standard to provide glare control and LED protection.

**ELECTRICAL** — 70% lumen maintenance at 97,000 hours; predicted life of more than 100,000 hours. Thermally protected driver standard with 0-10V dimming.

Wireless networking: XPoint™ Wireless technology creates a mesh network to ensure communication between fixtures, sensors and wall stations facility-wide. This option provides superior lighting management capabilities including granular control, configuration and custom grouping for increased energy savings.

**INSTALLATION** — Suitable for suspension by chain, cable, surface-mounting bracket, hook monopoint or single (pendant) monopoint. Surface mounting not recommended without optional surface mounting bracket. To maintain high ambient listing, fixture should be mounted at a minimum plenum height of 18".

**LISTINGS** — CSA certified to US and Canadian safety standards. Damp location listed. Ambient operating temperatures vary please refer to chart on page 3.

DesignLights Consortium® (DLC) qualified product. Not all versions of this product may be DLC qualified. Please check the DLC Qualified Products List at [www.designlights.org](http://www.designlights.org) to confirm which versions are qualified.

**WARRANTY** — 5-year limited warranty. Complete warranty terms located at [www.acuitybrands.com/CustomerResources/Terms\\_and\\_conditions.aspx](http://www.acuitybrands.com/CustomerResources/Terms_and_conditions.aspx)

**Note:** Actual performance may differ as a result of end-user environment and application. All values are design or typical values, measured under laboratory conditions at 25 °C. Specifications subject to change without notice.

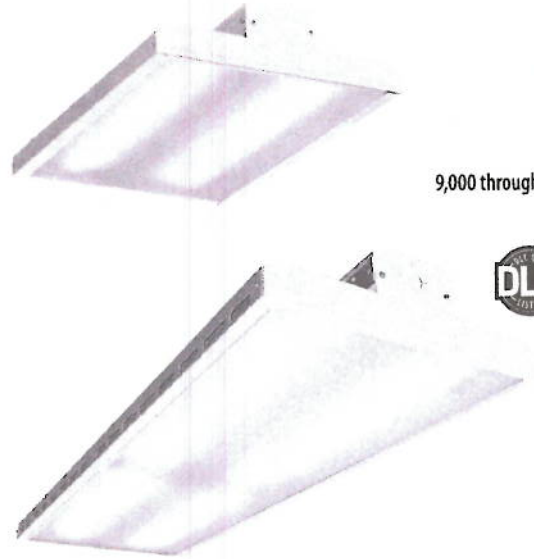
Catalog Number	IBH-18000LM-SD080-MD-MVOLT-GZ10-50K-80CRI-WH
Notes	
Type	

LED High Bay

# IBH

9,000 through 30,000 Lumens

Patent Pending



### ORDERING INFORMATION

Lead times will vary depending on options selected. Consult with your sales representative.

**Example:** IBH 18000LM SD080 MD MVOLT GZ10 40K 70CRI WH

IBH					GZ10			
Series	Lumens	Lens	Distribution	Voltage	Driver	Color temperature	Color rendering index	
IBH	9000LM 9,000 lumens	SD080 Semi-diffuse acrylic	ND Narrow	MVOLT 120-277V	GZ10 0-10V dimming	40K 4000 K	70CRI 70 CRI	
	12000LM 12,000 lumens	L/LENS Less lens <sup>1</sup>	MD Medium	HVOLT 347V-480V		50K 5000 K	80CRI 80 CRI <sup>2</sup>	
	15000LM 15,000 lumens			120 120V				
	18000LM 18,000 lumens			277 277V				
	24000LM 24,000 lumens							
	30000LM 30,000 lumens							

Options				Finish	
GLR	Internal fast-blow fuse <sup>3,4</sup>	<b>Motion sensors:</b>		WH	Gloss white
OUTCTR	Wiring leads pulled through back center of fixture	LCOZU	Aisle motion sensor, pre-wired <sup>3,7</sup>	MB	Matte black
OCS	RELOC® OnePass® 5' installed <sup>3</sup>	LCHOSZU	Aisle motion sensor, pre-wired; programmable dimming <sup>3,7</sup>		
RRL	RELOC®-ready luminaire. See page 5 for ordering information	LCPZU	Aisle motion sensor with photocell; pre-wired <sup>3,7</sup>		
WGX	Standard wire guard, installed	LACOSZU	Aisle motion sensor, dimming and switching photocell, pre-wired <sup>3,7</sup>		
<b>Cord sets:</b> <sup>5</sup>		LAOZU	360° motion sensor, pre-wired <sup>3,7</sup>		
CS1W	Straight plug, 120V <sup>3,6</sup>	LAHOSZU	360° motion sensor, pre-wired; programmable dimming <sup>3,7</sup>		
CS3W	Twist-lock, 120V <sup>3,6</sup>	LAPZU	360° motion sensor with photocell, pre-wired <sup>3,7</sup>		
CS7W	Straight plug, 277V <sup>3,6</sup>	MSI6XADL DSCXADL	360° Xpoint wireless motion sensor with photocell <sup>3,13</sup>		
CS11W	Twist-lock, 277V <sup>3,6</sup>	LAMOSZU	360 motion sensor, dimming and switching photocell, pre-wired (T24 compliant) <sup>3,7</sup>		
CS25W	Twist-lock, 347V <sup>3,6</sup>	LCMOSZU	Aisle motion sensor, dimming and switching photocell, pre-wired (T24 compliant) <sup>3,7</sup>		
CS97W	Twist-lock, 480V <sup>3,6</sup>	nPP16D	nLight® switching/dimming module <sup>3,8</sup>		
CS93W	600V SEOOOW white cord, no plug (no voltage required)	nMSI	nLight, aisle motion sensor, pre-wired <sup>3,9</sup>		
		nMSI360	nLight, 360° motion sensor, pre-wired <sup>3,10</sup>		
		nMSID	nLight, aisle motion sensor, pre-wired, dimming <sup>3,11</sup>		
		nMSI360D	nLight, 360° motion sensor, pre-wired, dimming <sup>3,12</sup>		
		XPW	Factory installed XPoint™ wireless 0-10V dimming relay <sup>3,13,14</sup>		

See footnotes on page 2.

# IBH LED High Bay

Accessories: Order as separate catalog number.

**Mounting:**

IBAC120 M20	Aircraft cable 10' with hook (one pair)
IBAC240 M20	Aircraft cable 20' with hook (one pair)
IBHMP	Hook monopoint
ZACVH	Aircraft 10' V hanger (one pair)
IBLPMP	Pendant monopoint splice box, includes side covers
IBLPMPHB	Pendant monopoint splice box with 3/4" hub, includes side covers
HC36	Hanger chain, 36" (one pair)
THUN	Tong hanger bracket (order 2 per fixture) <sup>15</sup>

**Wire guards:**

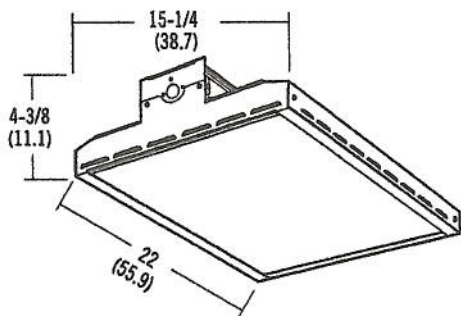
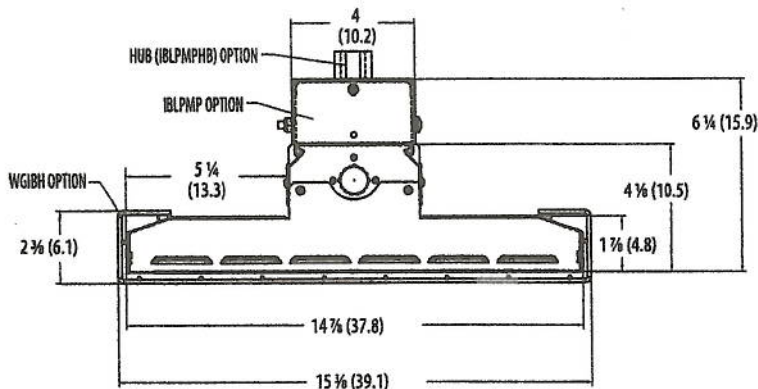
WGBH	Wire guard for use with 9000LM - 15000LM fixtures
WGBH4	Wire guard for use with 18000LM - 30000LM fixtures

**Notes**

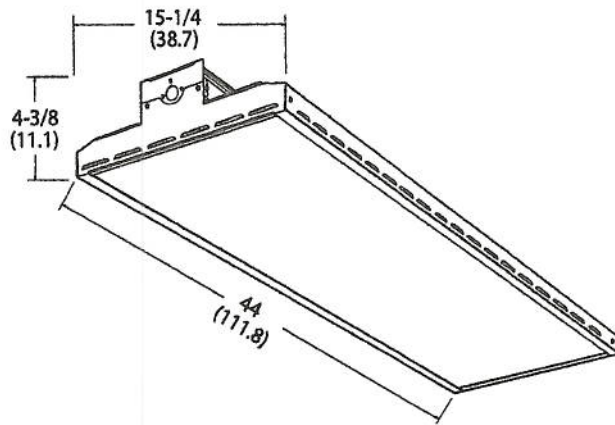
- 1 Direct eye exposure to the high-power LEDs can injure the eyes. Proper precautions should be taken to avoid direct prolonged and/or close-range viewing of the LEDs while operating.
- 2 10% reduction in lumens compared to 70 CRI.
- 3 Must specify voltage.
- 4 Not available with 347V.
- 5 All cord sets are 18/3, 6', white.
- 6 Cord sets are voltage specific. Specify voltage. Other configurations available. Consult factory.
- 7 Other configurations available, see page four for additional options. Maximum ambient temperature 104°F (40°C).
- 8 347V and 480V with nPP16D utilizes a step down transformer.
- 9 nMSI options utilizes a nPP16 and nCMB 50 sensor, CAT5e connector cable also included. Available 120 or 277V only.
- 10 nMSI360 options utilizes a nPP16 and nCMB 6 sensor, CAT5e connector cable also included. Available 120 or 277V only.
- 11 nMSID options utilizes a nPP16D and nCMB 50 sensor CAT5e connector cable also included. Available 120 or 277V only.
- 12 nMSI360D options utilizes a nPP16D and nCMB 6 sensor, CAT5e connector cable also included. Available 120 or 277V only.
- 13 For use in ambient temperatures ranging from -14° to 104°F (-10° to 40°C).
- 14 XPW option utilizes the XPA CMR80. Must specify voltage 120-277 only.
- 15 For use in applications with ambient temperatures up to 30C.

## DIMENSIONS

All dimensions are in inches (centimeters) unless otherwise indicated. Dimensions may vary with options or accessories.



9,000, 12,000 and 15,000 Lumens



18,000, 24,000 and 30,000 Lumens



# IBH LED High Bay

## OPERATIONAL DATA

Lumen package	Ambient rating* (120V - 277V)	Ambient rating* (347V / 480V)	Lens option	70CR, 50K	70CRI, 40K	80CRI, 50K	80CRI, 40K
9000LM	-40°F to 104°F (-40°C to 40°C)	-40°F to 86°F (-40°C to 35°C)	SD080	10,158	10,027	9,746	8,854
			L/Lens	10,745	10,607	10,310	9,366
12000LM	-40°F to 104°F (-40°C to 40°C)	-40°F to 86°F (-40°C to 35°C)	SD080	14,380	14,189	10,798	12,524
			L/Lens	15,211	15,009	14,596	13,248
15000LM	-40°F to 104°F (-40°C to 40°C)	-40°F to 95°F (-40°C to 35°C)	SD080	16,676	16,455	15,994	14,530
			L/Lens	17,640	17,407	16,919	15,370
18000LM	-40°F to 104°F (-40°C to 40°C)	-40°F to 95°F (-40°C to 35°C)	SD080	21,830	21,539	20,947	19,012
			L/Lens	23,092	22,785	22,159	20,112
24000LM	-40°F to 104°F (-40°C to 40°C)	-40°F to 95°F (-40°C to 35°C)	SD080	26,844	26,493	25,761	23,384
			L/Lens	28,397	28,025	27,251	24,737
30000LM	-40°F to 104°F (-40°C to 40°C)	-40°F to 95°F (-40°C to 35°C)	SD080	33,352	32,910	31,998	29,050
			L/Lens	35,281	34,814	33,849	30,730

\* Ambient temperature ratings vary depending on options selected.

## CHARACTERISTICS

Lumen package	Wattage				Length	Width	Depth	Weight without Lens (Lens kit adds approx. 7 lbs (2.3 kg))	Comparable light source
	120V	277V	347V	480V					
Dimensions are shown in inches (centimeters) unless otherwise noted.									
9000LM	99	97	95	95	22 (55.9)	15-1/4 (38.7)	4-3/8 (11.1)	10 lbs (4.5 kg)	2-lamp T5HO
12000LM	131	129	126	125	22 (55.9)	15-1/4 (38.7)	4-3/8 (11.1)	10 lbs (4.5 kg)	4-lamp T8, 250W HID
15000LM	155	152	149	148	22 (55.9)	15-1/4 (38.7)	4-3/8 (11.1)	10 lbs (4.5 kg)	4-lamp T5HO, 6-lamp T8
18000LM	202	199	194	194	44 (111.8)	15-1/4 (38.7)	4-3/8 (11.1)	20 (9.1 kg)	4-lamp T5HO, 6-lamp T8, 400W HID
24000LM	257	253	247	247	44 (111.8)	15-1/4 (38.7)	4-3/8 (11.1)	20 (9.1 kg)	6-lamp T5HO, 8-lamp T8
30000LM	310	305	298	297	44 (111.8)	15-1/4 (38.7)	4-3/8 (11.1)	20 (9.1 kg)	8-lamp T5HO

## PROJECTED LUMEN MAINTENANCE

Operating hours	0	10,000	20,000	25,000	35,000	50,000	60,000	75,000	100,000
Lumen maintenance factor	1	0.96	0.92	0.90	0.87	0.83	0.80	0.76	0.69

## LUMENS VS. AMBIENT TEMPERATURE

Ambient °C	Ambient °F	Lumen multiplier
0	32	1.03
5	41	1.03
10	50	1.02
15	59	1.01
20	68	1.01
25	77	1.00
30	86	.98
35	95	.89
40	104	.79

## PHOTOMETRICS

See [www.lithonia.com](http://www.lithonia.com).



An Acuity Brands Company

INDUSTRIAL: One Lithonia Way, Conyers, GA 30012 Phone: 800-315-4963 Fax: 770-929-8789 [www.lithonia.com](http://www.lithonia.com)

© 2014-2015 Acuity Brands Lighting, Inc. All rights reserved. Rev. 05/18/15