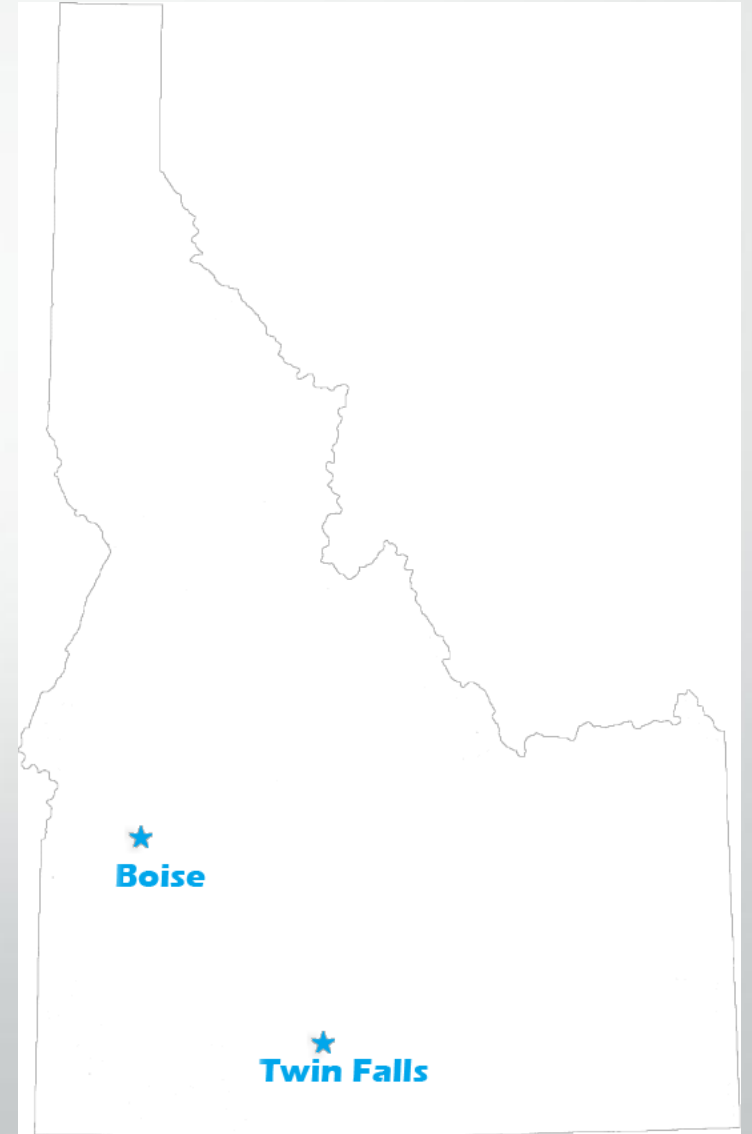


**TEK-HUT**

Networking People and Computers

# History

- Founded in 2001
- Employees 20 talented individuals
- Offices in Twin Falls and Boise

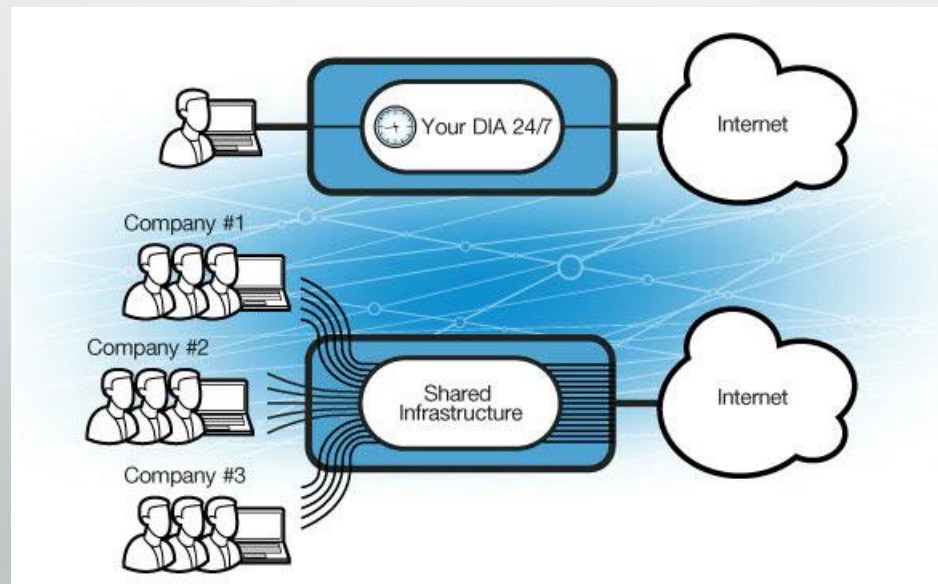



# Past

- Started providing Schools Internet Access via T1 TDM in 2003
- In 2008 migrated Schools to licensed microwave to increase speeds
- During the IEN, provided Internet Access to
  - Kimberly School District
  - Valley School District
  - Dietrich School District
  - Richfield School District
  - Murtaugh School District

# Dedicated Internet Access

- With the break up of the Idaho Education Network, Tek-Hut, Inc. now provides internet access to the following school districts :



- 
- Boise School District
  - Kuna School District
  - Meridian Technical Charter School District
  - Emmett School District
  - Marsing School District
  - Parma School District
  - New Plymouth School District
  - Melba School District
  - Victory Charter School
  - Liberty Charter School
  - Mountain Home School District
  - Richard McKenna Charter School

Bliss School District

- North Valley Academy
- Wendell School District
- Camas County School District
- Jerome School District
- Shoshone School District
- Richfield School District
- Dietrich School District
- Kimberly School District
- Murtaugh School District
- Hansen School District
- Cassia County School District
- Snake River School District
- Idaho Distance Education Academy

# Wide Area Networks

- Delivering 4 school Districts Wide Area Connectivity from 10Gbps to 100 Mbps
  - A Wide Area network provides building to building connectivity typically connecting individual buildings inside a district



# Microwave connectivity

- Microwave connectivity is the primary technology used to deliver high-speed reliable, dedicated internet access through the Great State of Idaho





# Additional Benefits

- Broadband access delivered to the surrounding community where technologies such as DSL or Cable typically don't reach
- Broadband speeds up to 20Mbps available to surrounding residences or homes



# Rural Healthcare

- Delivering high speed connectivity for Electronic Health Records, telemedicine and reliable broadband access in rural Idaho.



# Statistics

- Currently delivering more than 4Gbps of Dedicated Access to Schools
- Increased Bandwidth by 2.3Gbps over what was provided by IEN
- Cost savings VS existing IEN purchased bandwidth \$58,700.72 per month

# Summary

- Tek-Hut, Inc. was awarded each of these independent school contracts based on individual RFPs
- Microwave is a cost effective, scalable, reliable method for delivering high-speed connectivity
- Fiber is not the only method for delivering reliable connectivity especially in Idaho, as most of Idaho is rural
- The right technology (one blanket medium is not perfect for everyone)
- Sustainability / Subsidizing

# Contact Information



**Nate Bondelid, Eagle Scout**  
Chief Executive Officer  
[nate@tek-hut.com](mailto:nate@tek-hut.com)

Tek-Hut, Inc.  
10350 West Emerald St  
Boise, ID 83704  
460 Main Ave. S.  
Twin Falls, ID 83301  
Tel. 208.733.6283  
<http://www.tek-hut.com>